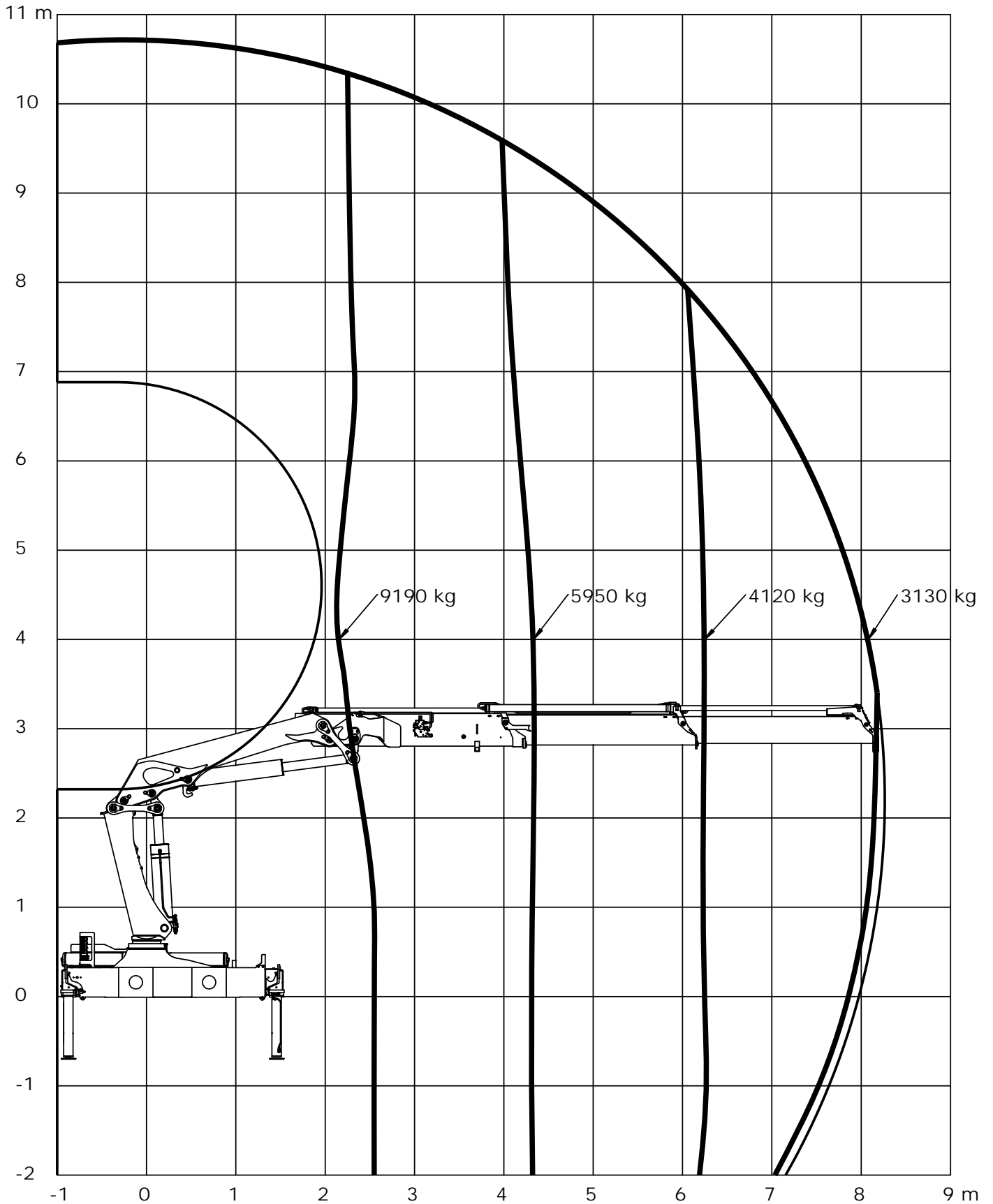


Lifting capacity diagram, K2

Catalogue no.	Section
31 131	222
Date	Page
31-08-2018	1 (1)

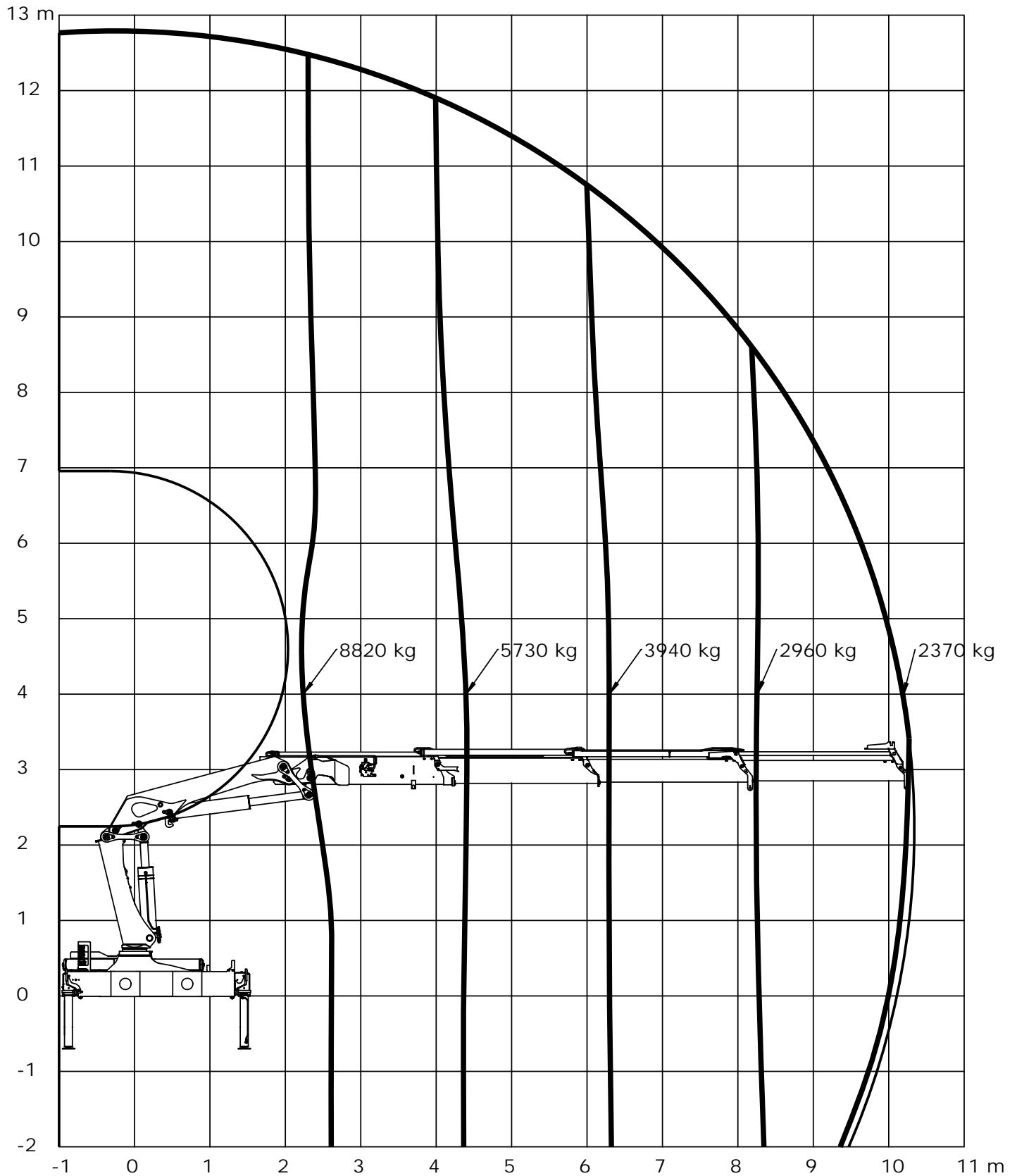


Loading group: EN12999 H1/B3



Lifting capacity diagram, K3

Catalogue no.	Section
31 131	223
Date	Page
31-08-2018	1 (1)

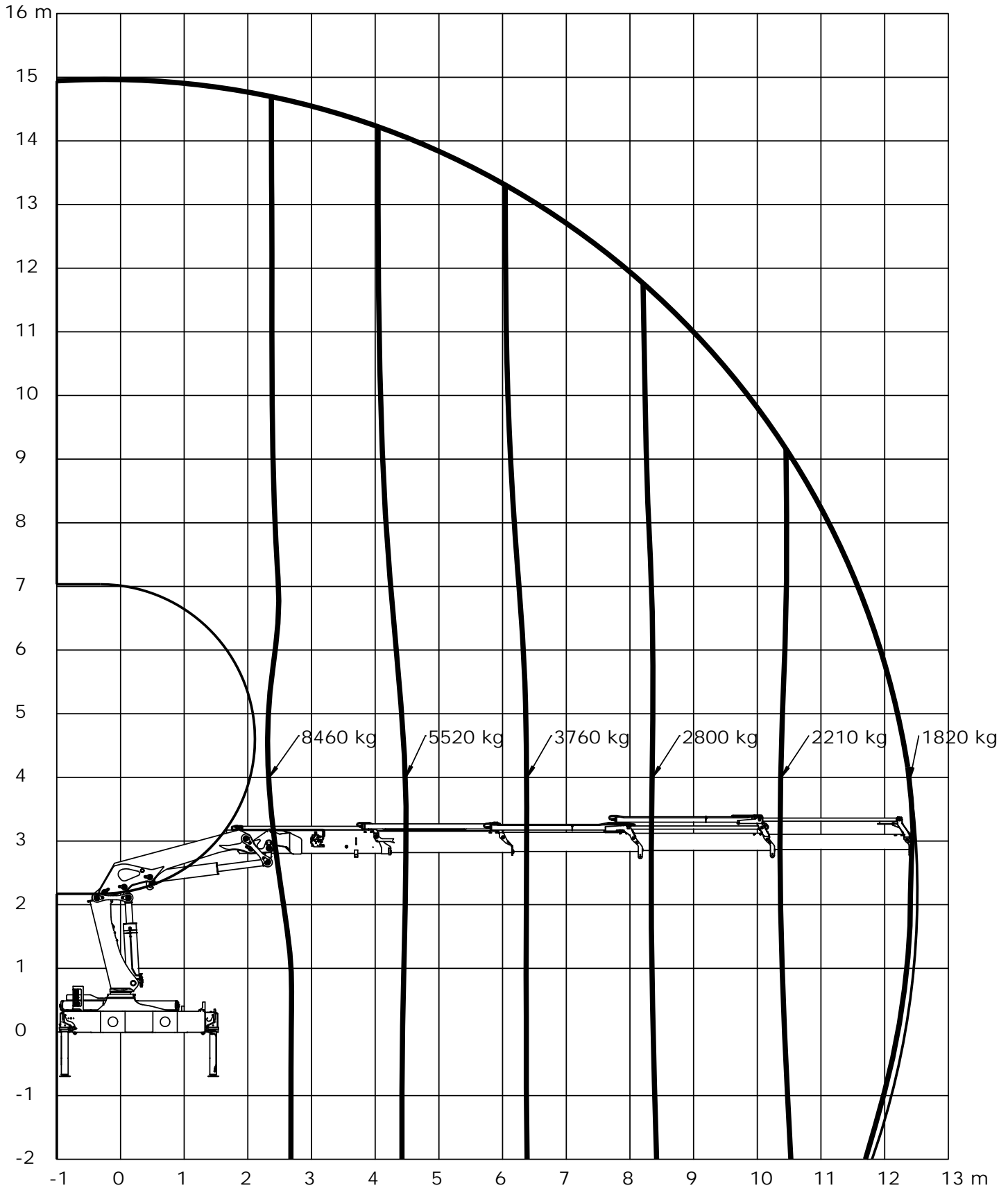


Loading group: EN12999 H1/B3



Lifting capacity diagram, K4

Catalogue no.	Section
31 131	224
Date	Page
31-08-2018	1 (1)

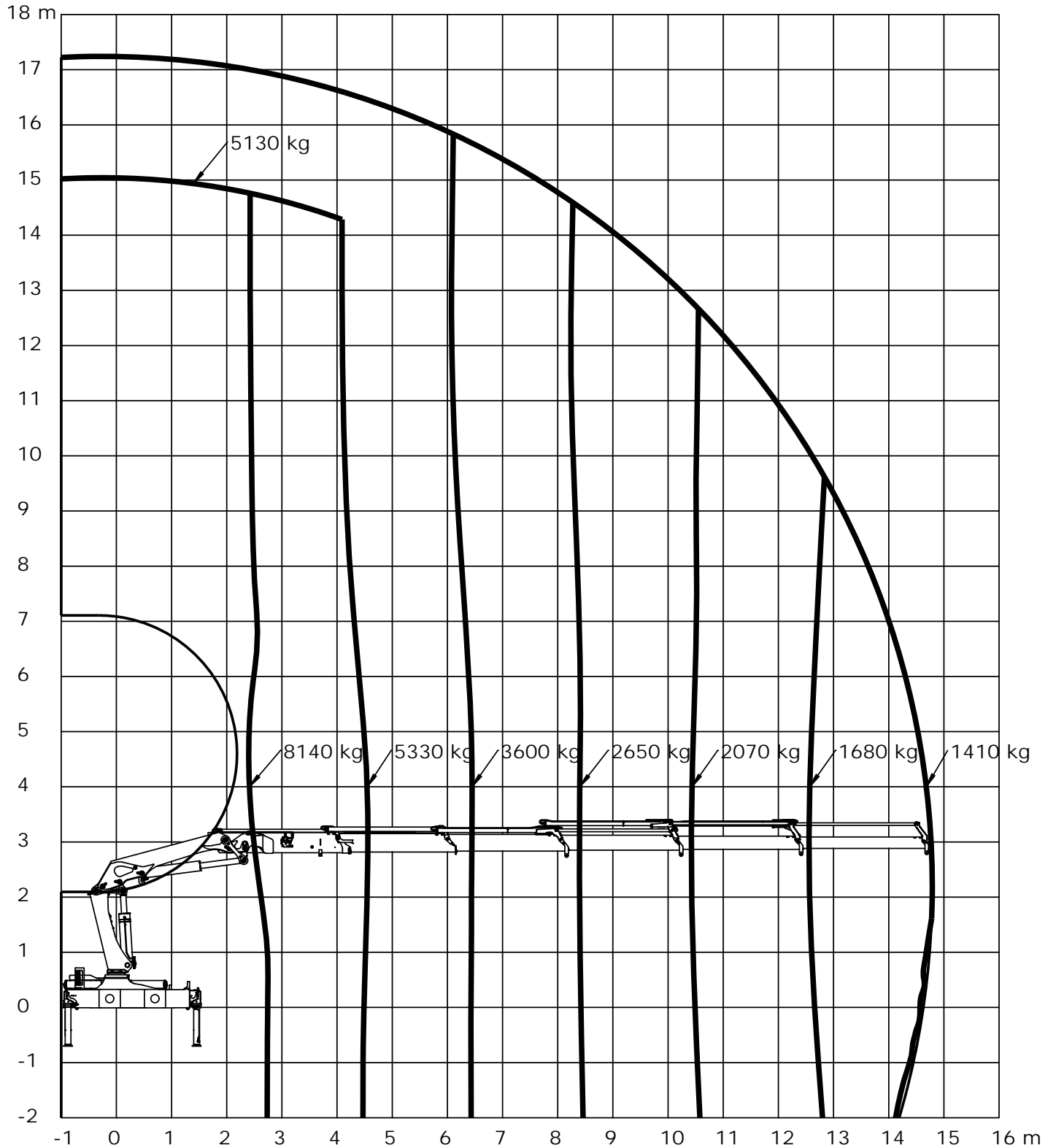


Loading group: EN12999 H1/B3



Lifting capacity diagram, K5

Catalogue no.	Section
31 131	225
Date	Page
31-08-2018	1 (1)

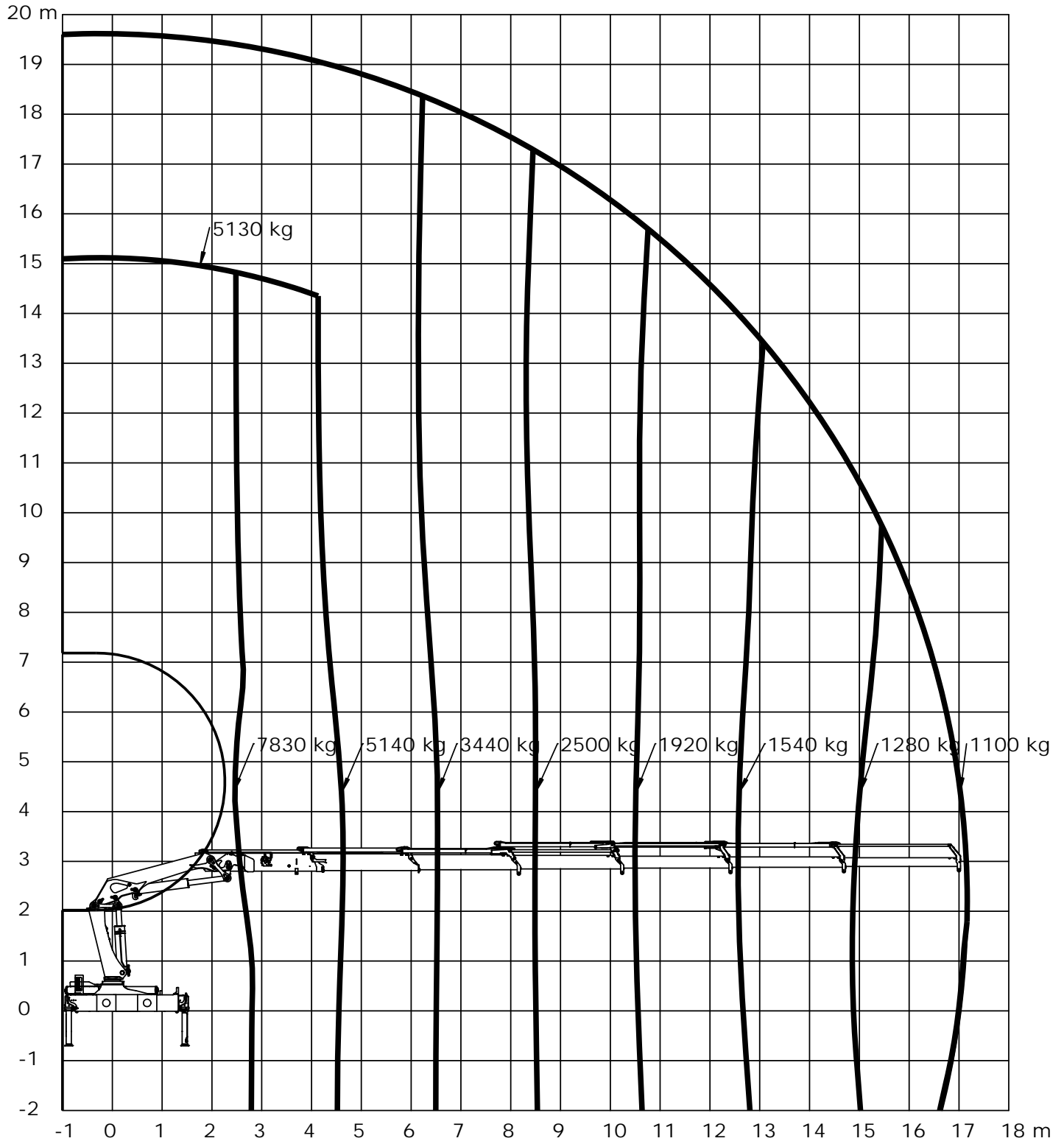


Loading group: EN12999 H1/B3



Lifting capacity diagram, K6

Catalogue no.	Section
31 131	226
Date	Page
31-08-2018	1 (1)

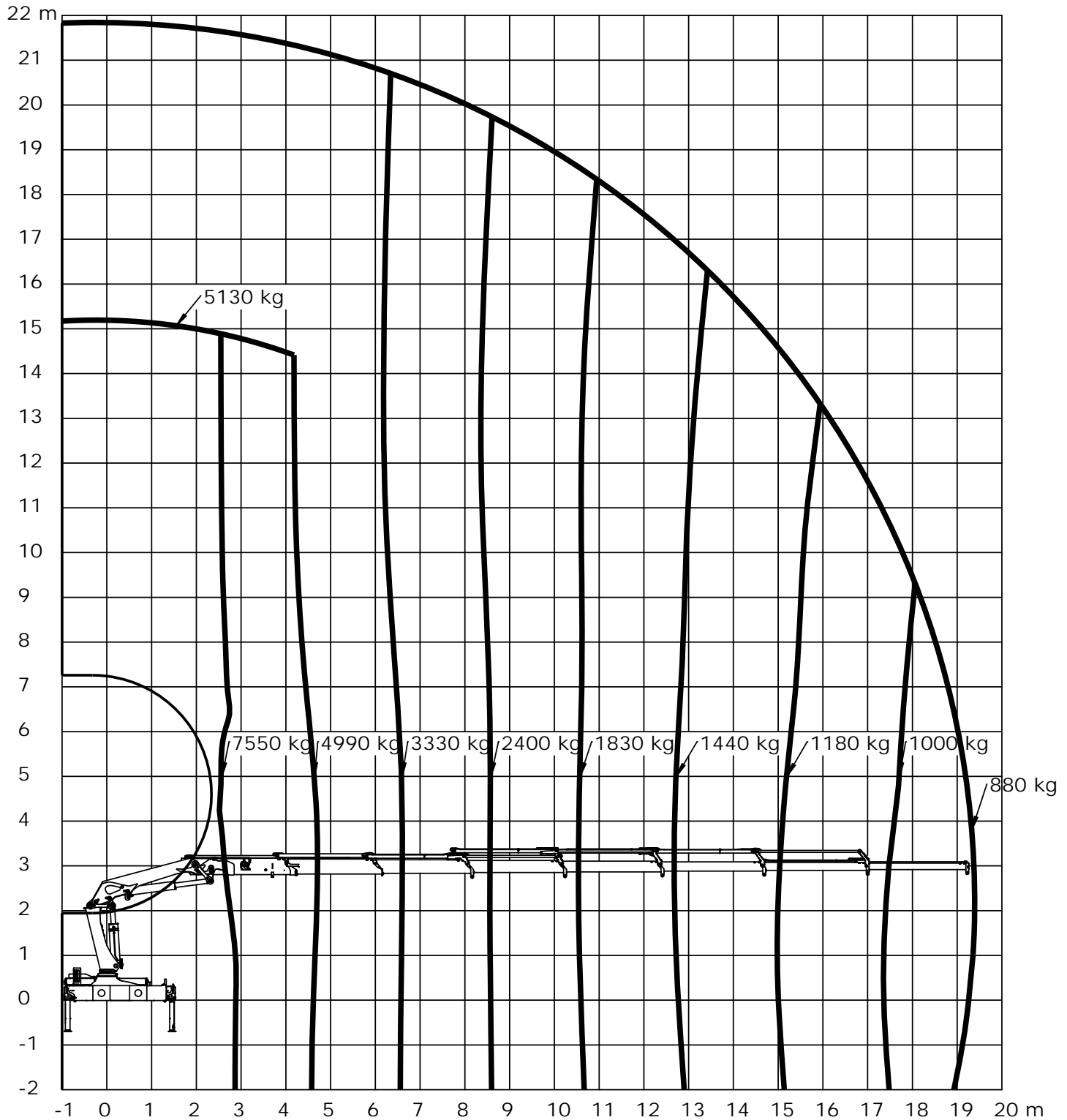


Loading group: EN12999 H1/B3



Lifting capacity diagram, K7

Catalogue no.	Section
31 131	227
Date	Page
31-08-2018	1 (1)

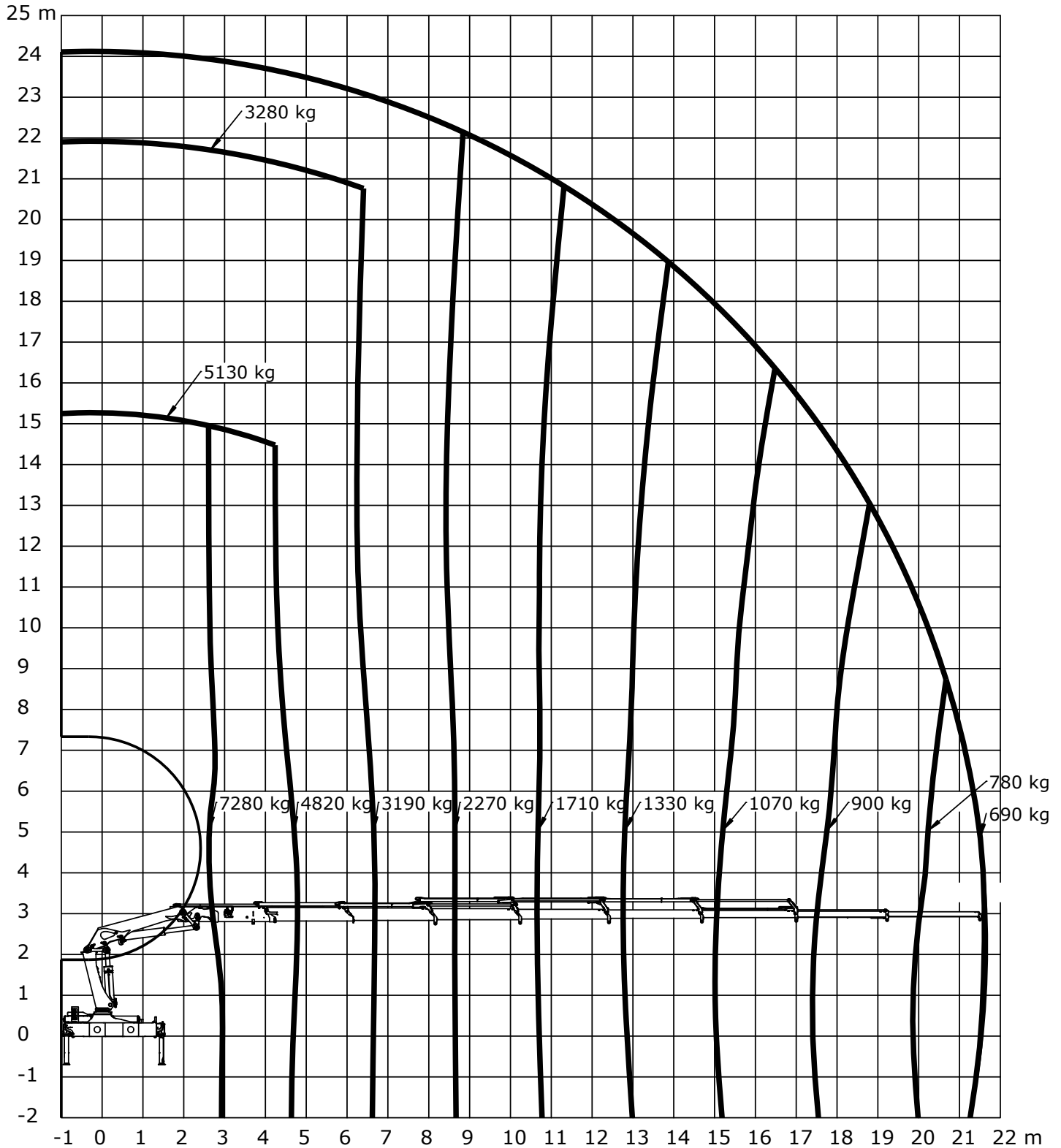


Loading group: EN12999 H1/B3



Lifting capacity diagram, K8

Catalogue no.	Section
31 131	228
Date	Page
30-10-2018	1 (1)

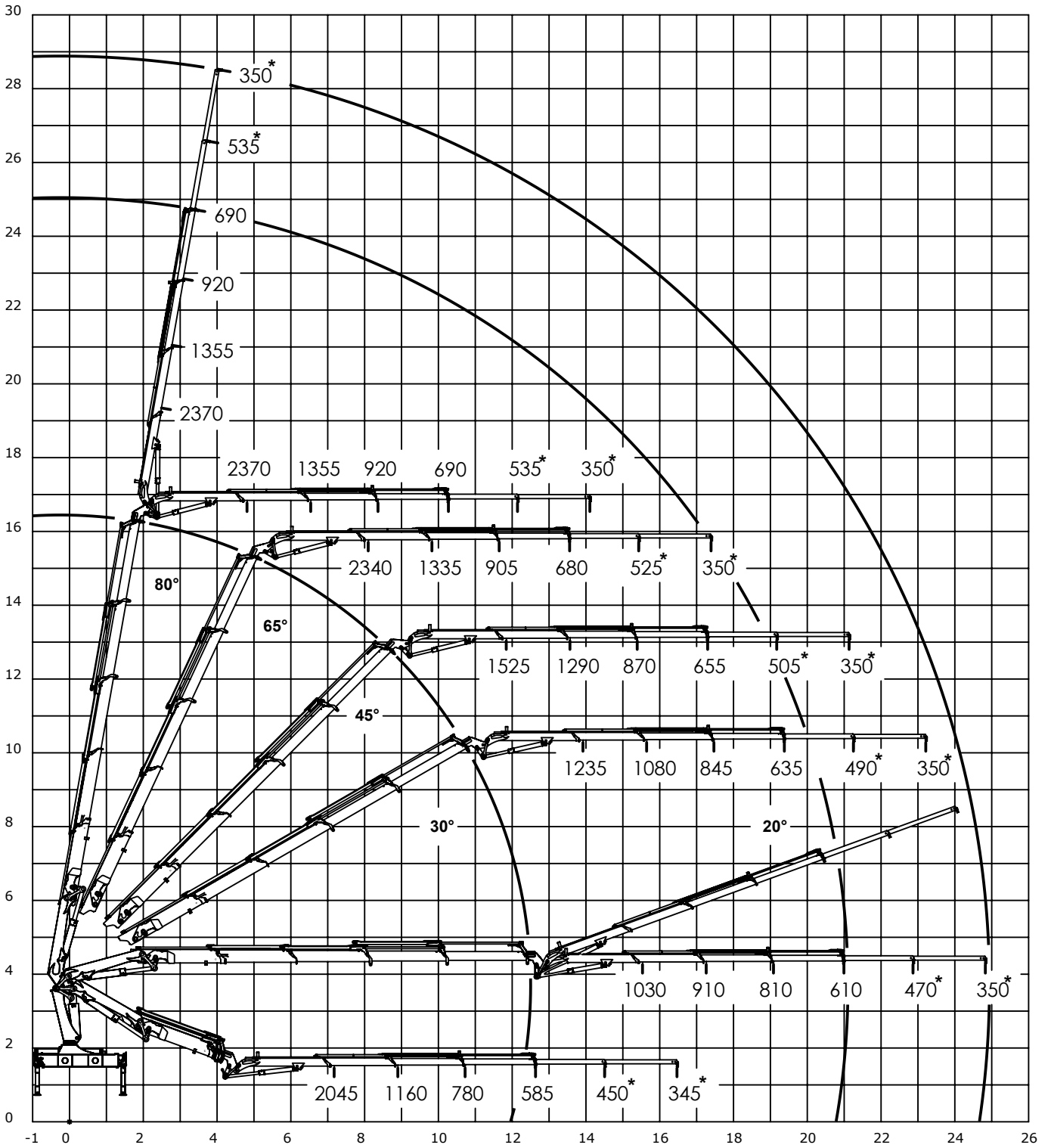


Loading group: EN12999 H1/B3



Lifting capacity diagram, 2820-K4 with FJ700 K3

Catalogue no.	Section
31 131	253
Date	Page
20-05-2019	1 (1)

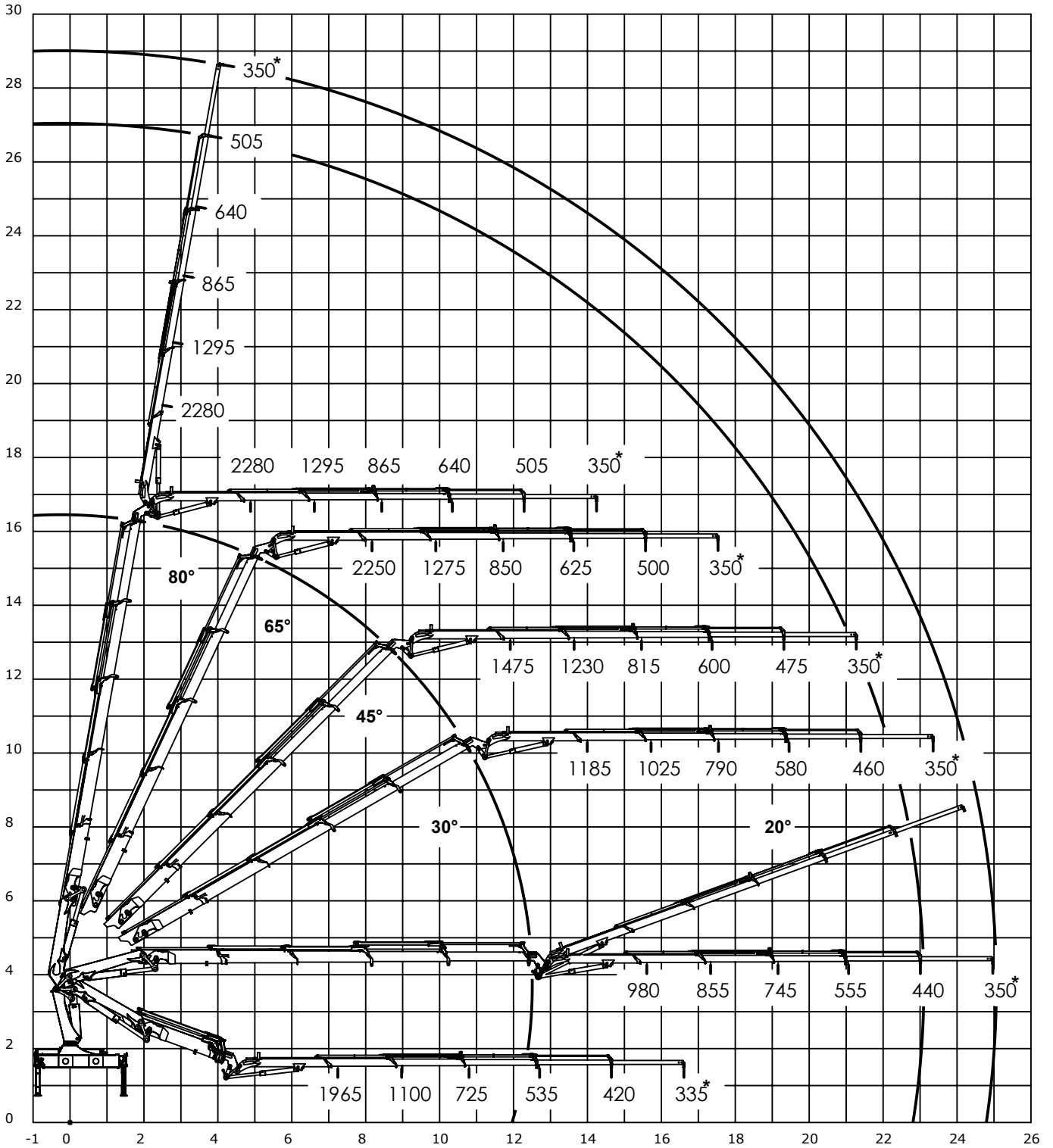


* With manual extension.



Lifting capacity diagram, 2820-K4 with FJ700 K4

Catalogue no.	Section
31 131	254
Date	Page
20-05-2019	1 (1)

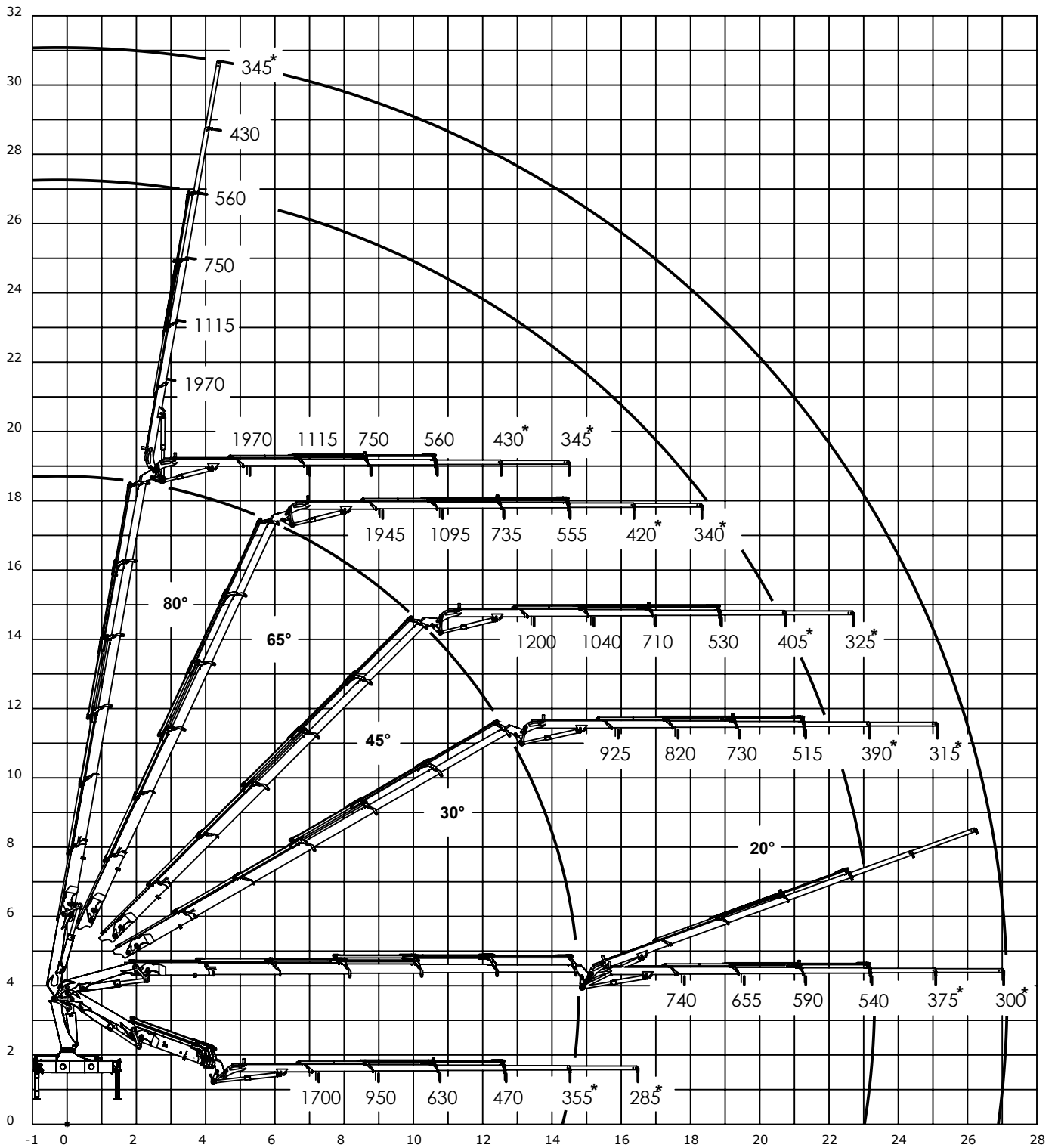


* With manual extension.



Lifting capacity diagram, 2820-K5 with FJ700 K3

Catalogue no.	Section
31 131	255
Date	Page
20-05-2019	1 (1)



* With manual extension.

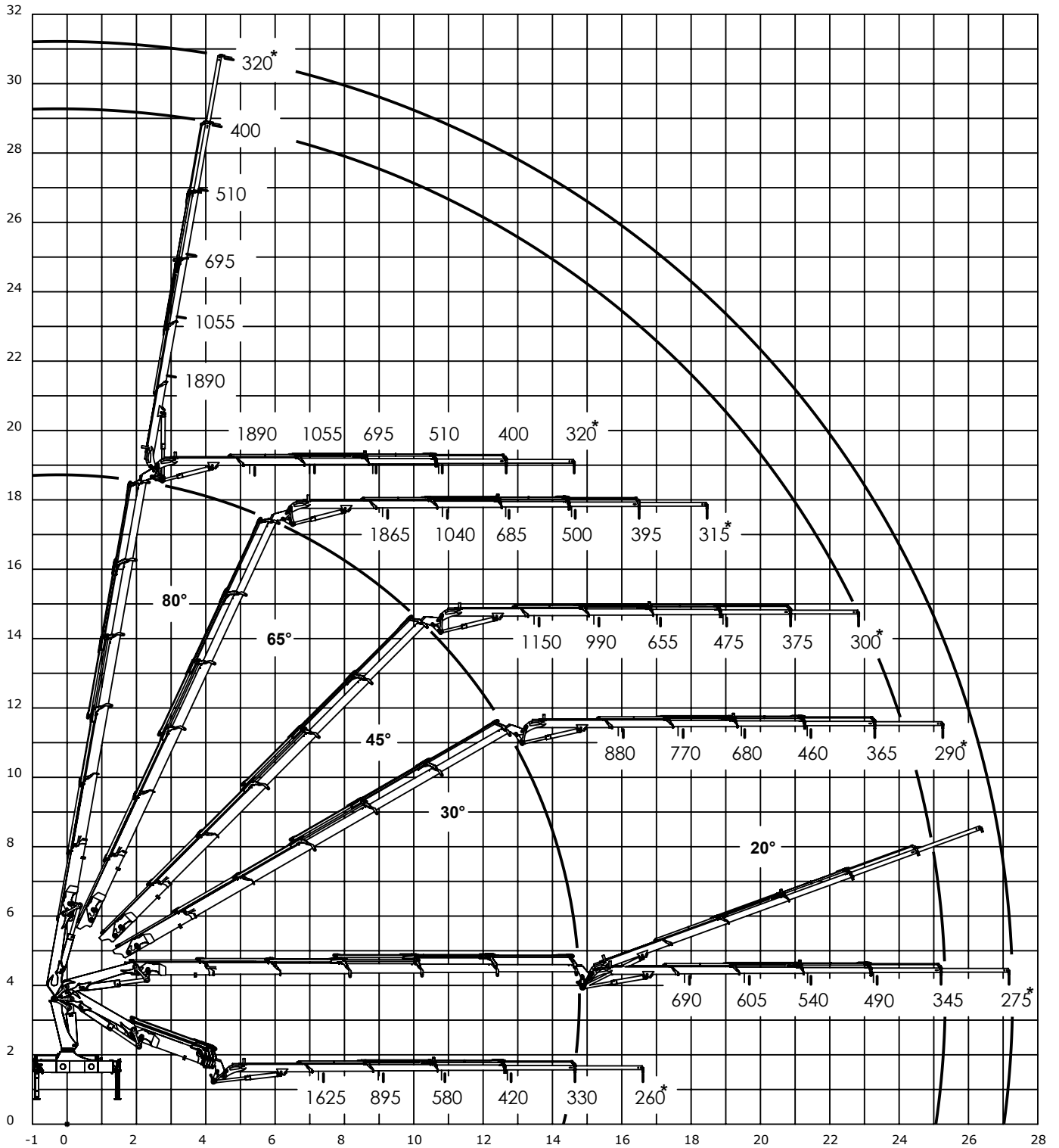


Technical Information 2820K-RCS



Lifting capacity diagram, 2820-K5 with FJ700 K4

Catalogue no.	Section
31 131	256
Date	Page
20-05-2019	1 (1)



* With manual extension.

- power to lift. -

