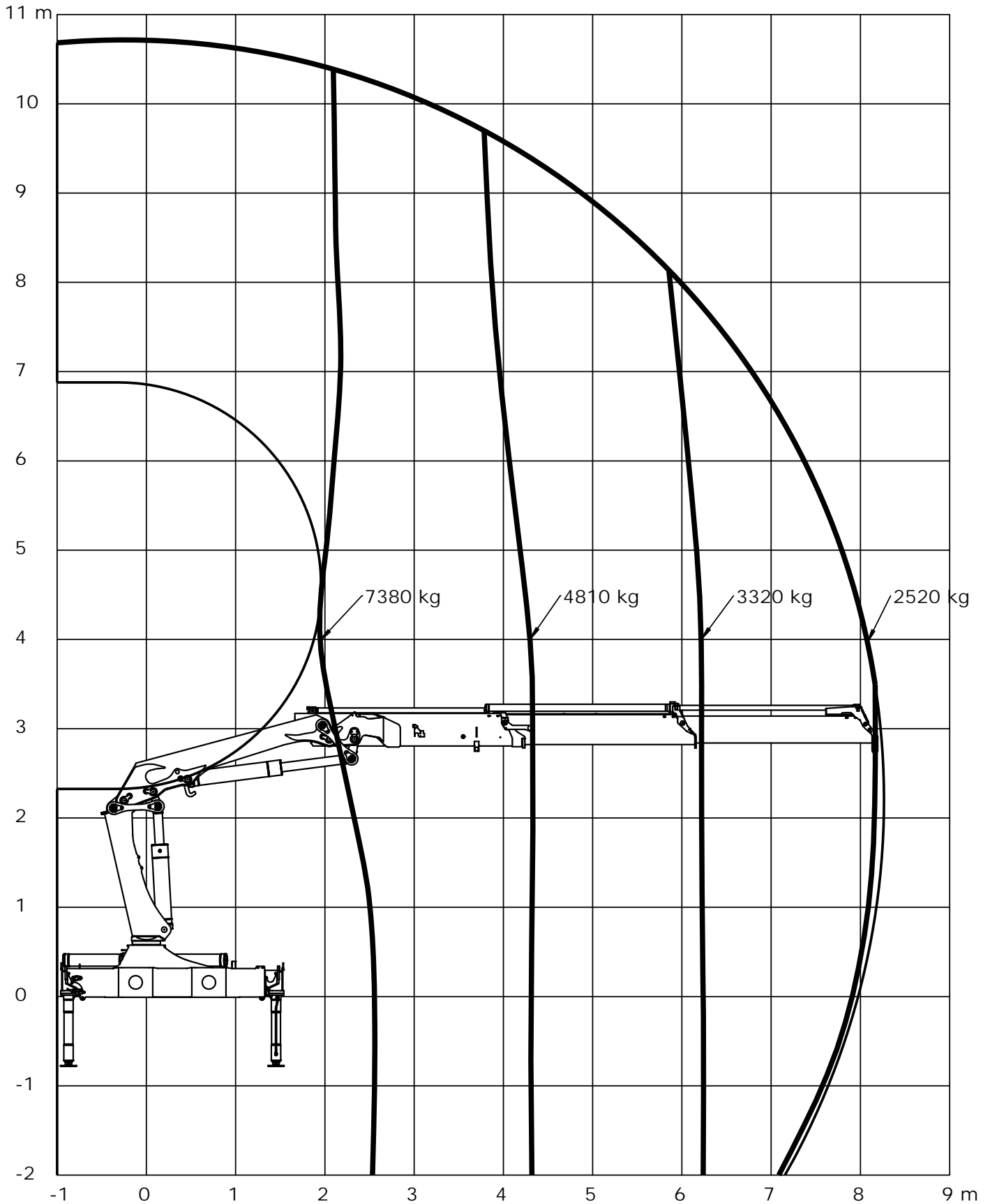


## Lifting capacity diagram, K2

Catalogue no.	Section
31 129	222
Date	Page
31-08-2018	1 (1)

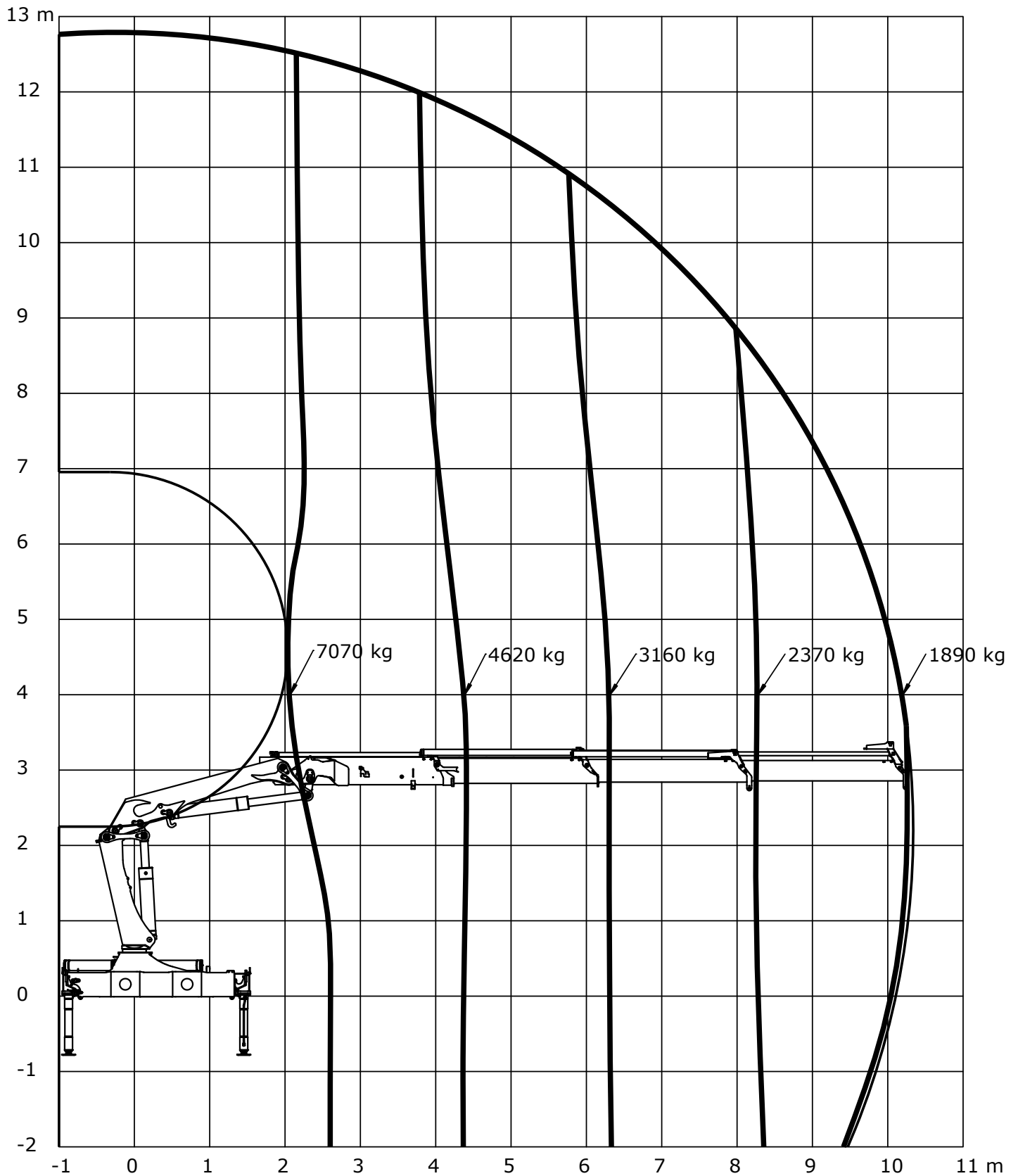


Loading group: EN12999 H1/B3



## Lifting capacity diagram, K3

Catalogue no.	Section
31 129	223
Date	Page
30-10-2018	1 (1)

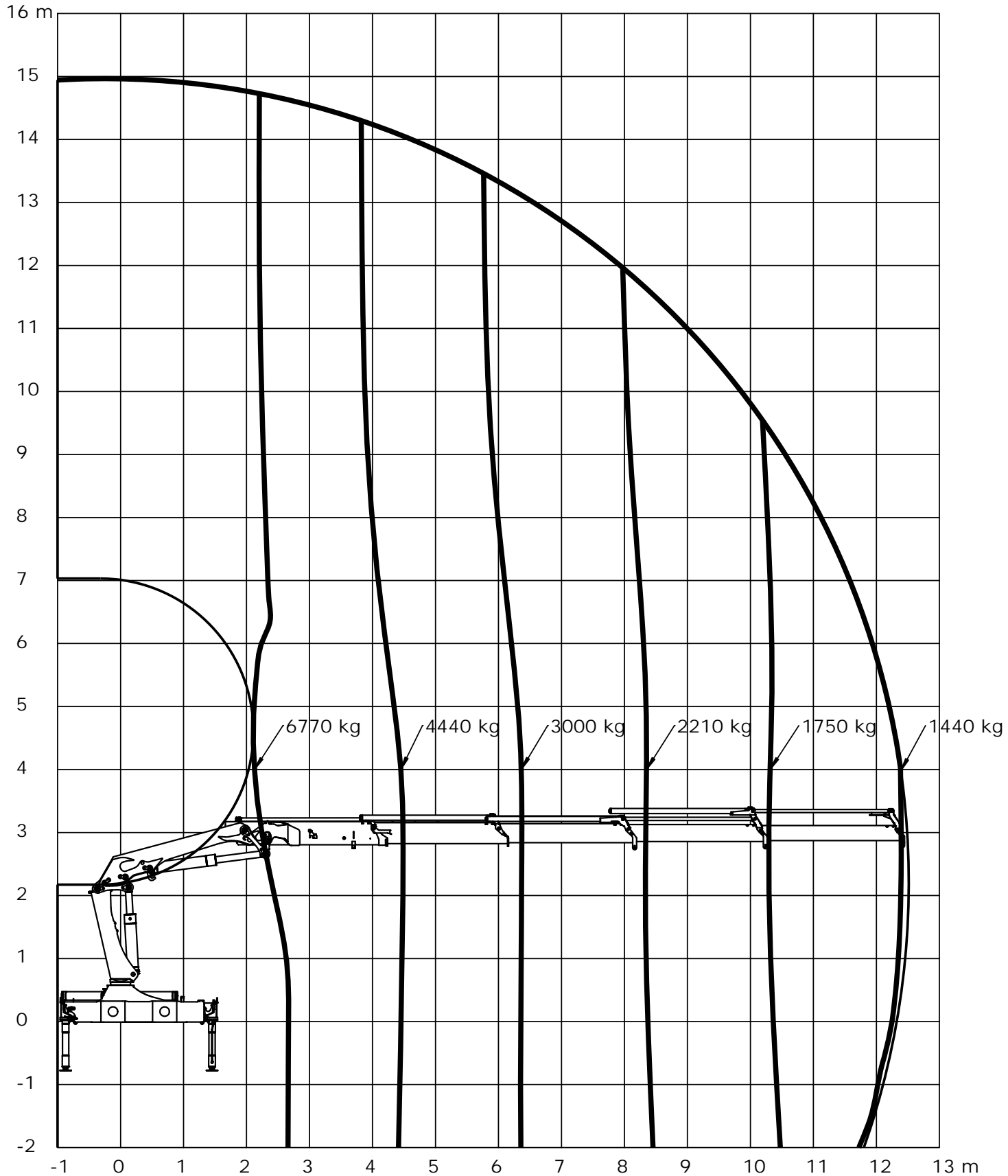


Loading group: EN12999 H1/B3



## Lifting capacity diagram, K4

Catalogue no.	Section
31 129	224
Date	Page
31-08-2018	1 (1)

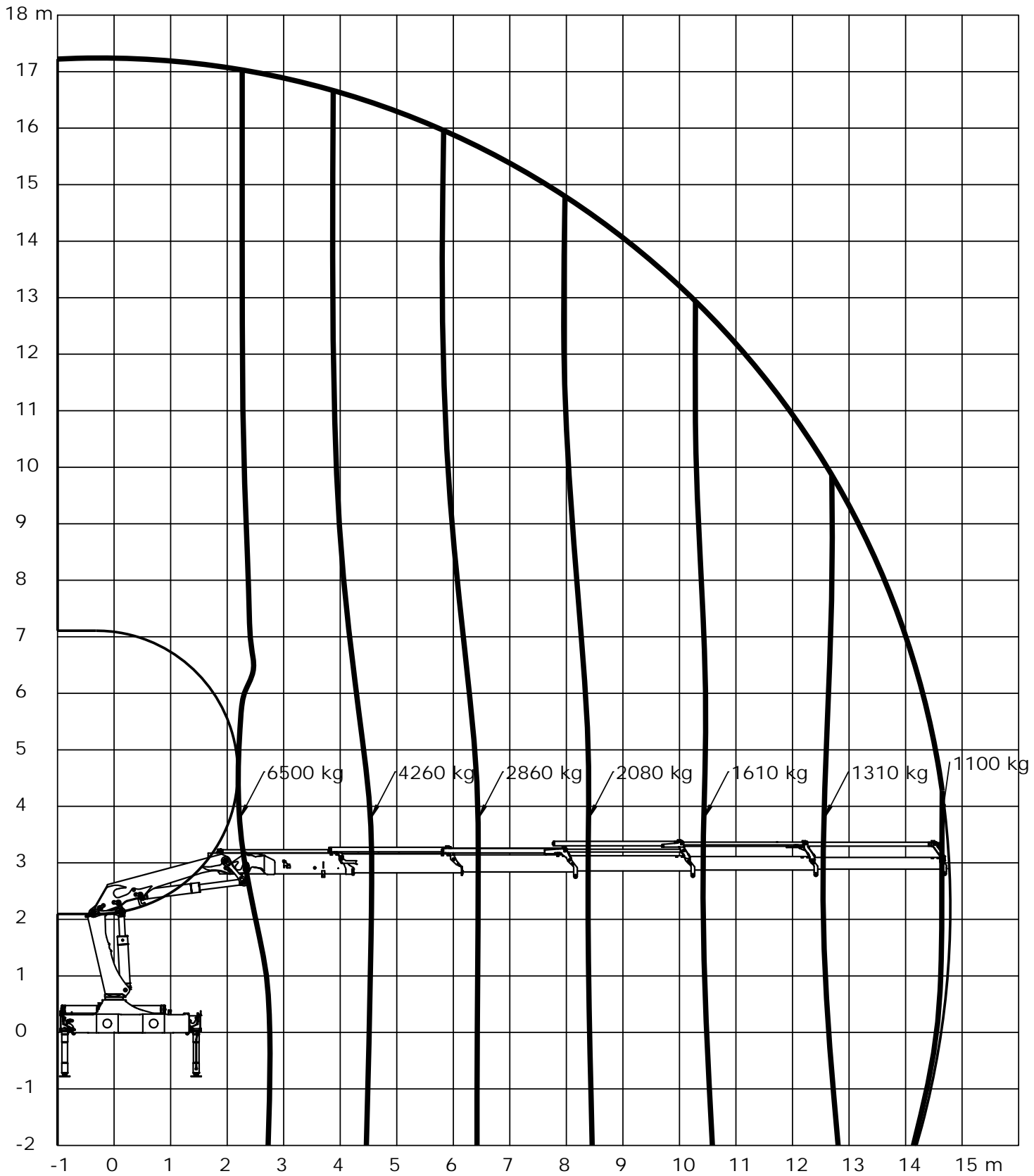


Loading group: EN12999 H1/B3



## Lifting capacity diagram, K5

Catalogue no.	Section
31 129	225
Date	Page
31-08-2018	1 (1)

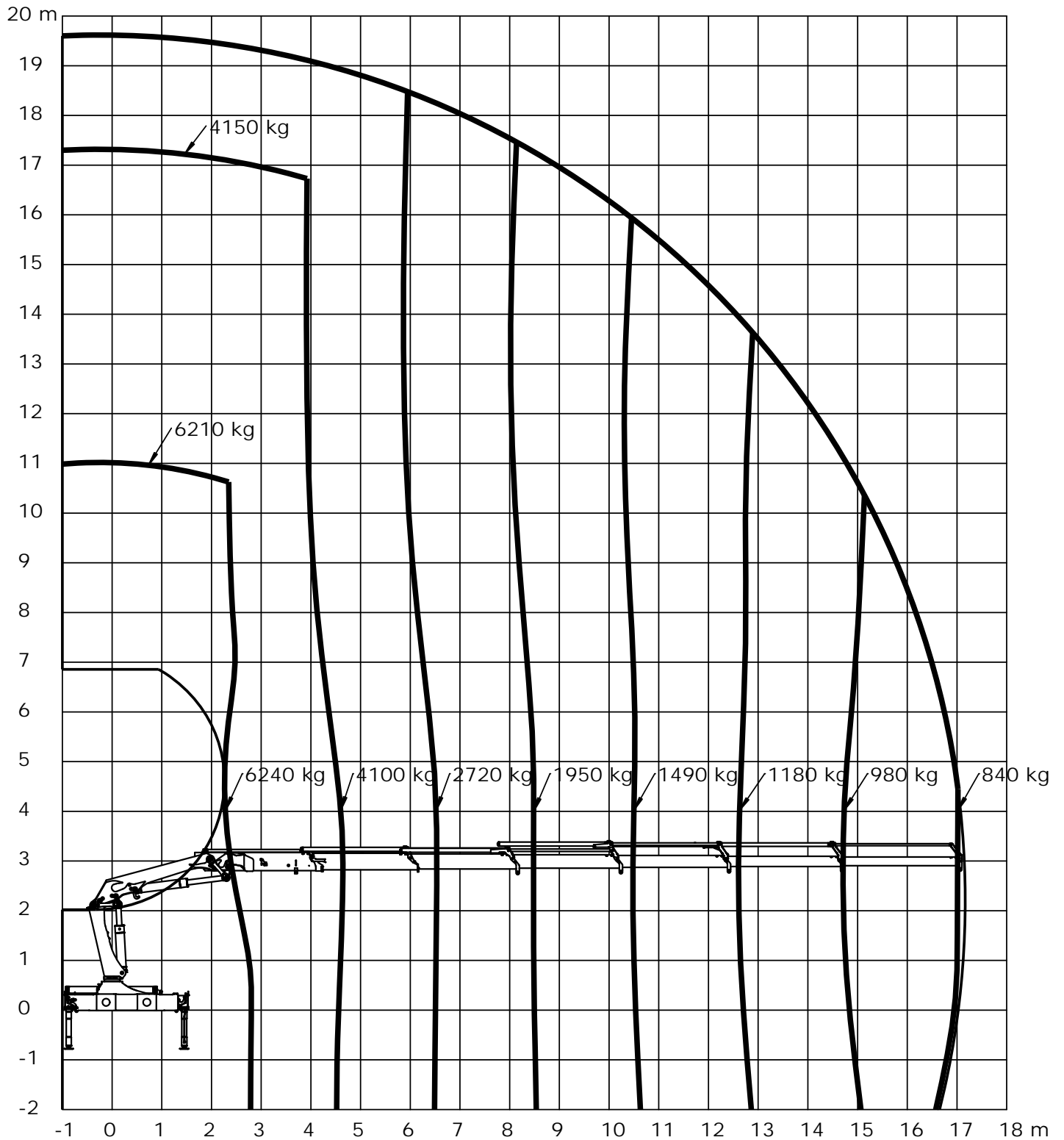


Loading group: EN12999 H1/B3



## Lifting capacity diagram, K6

Catalogue no.	Section
31 129	226
Date	Page
31-08-2018	1 (1)

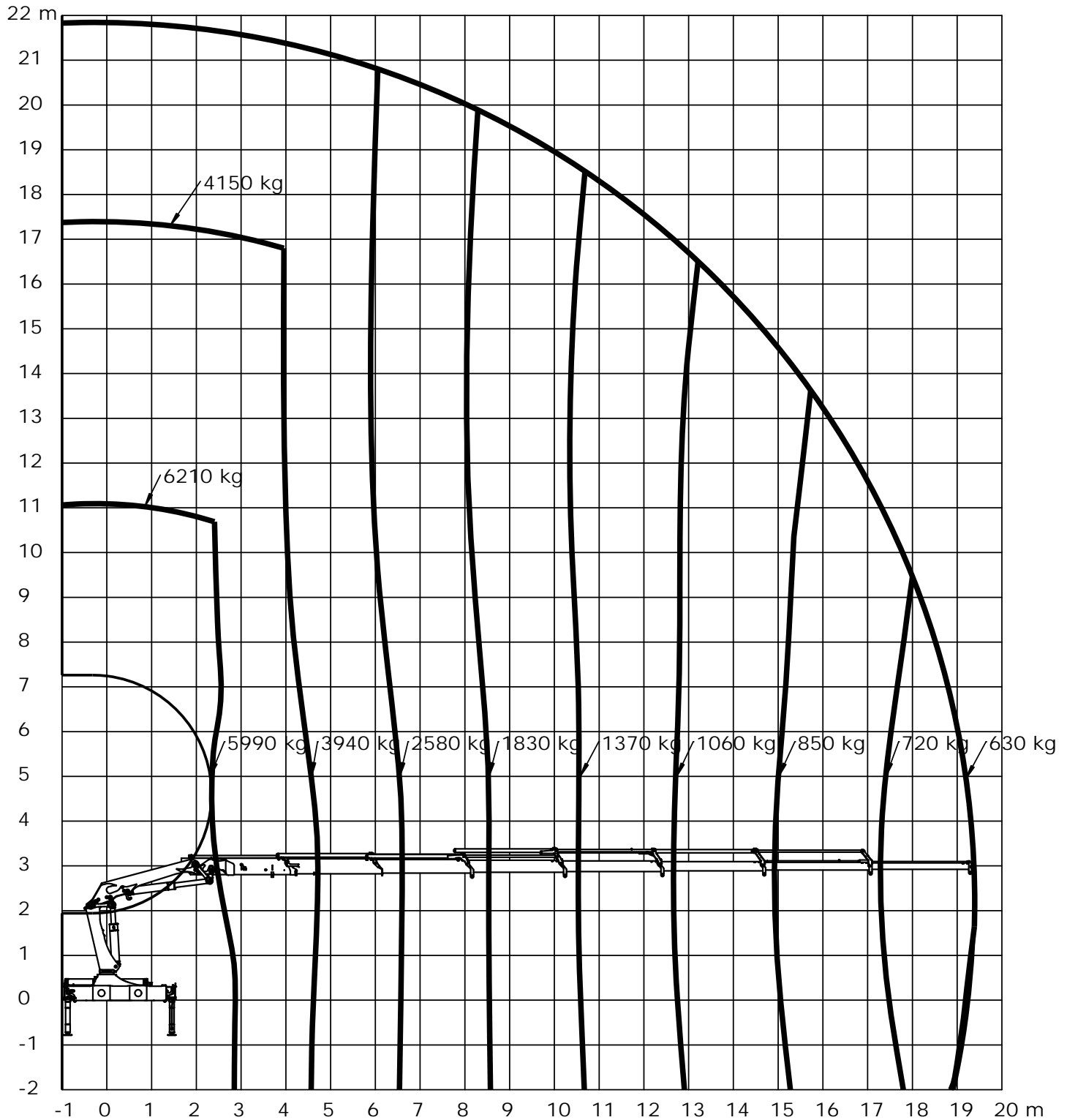


Loading group: EN12999 H1/B3



## Lifting capacity diagram, K7

Catalogue no.	Section
31 129	227
Date	Page
31-08-2018	1 (1)

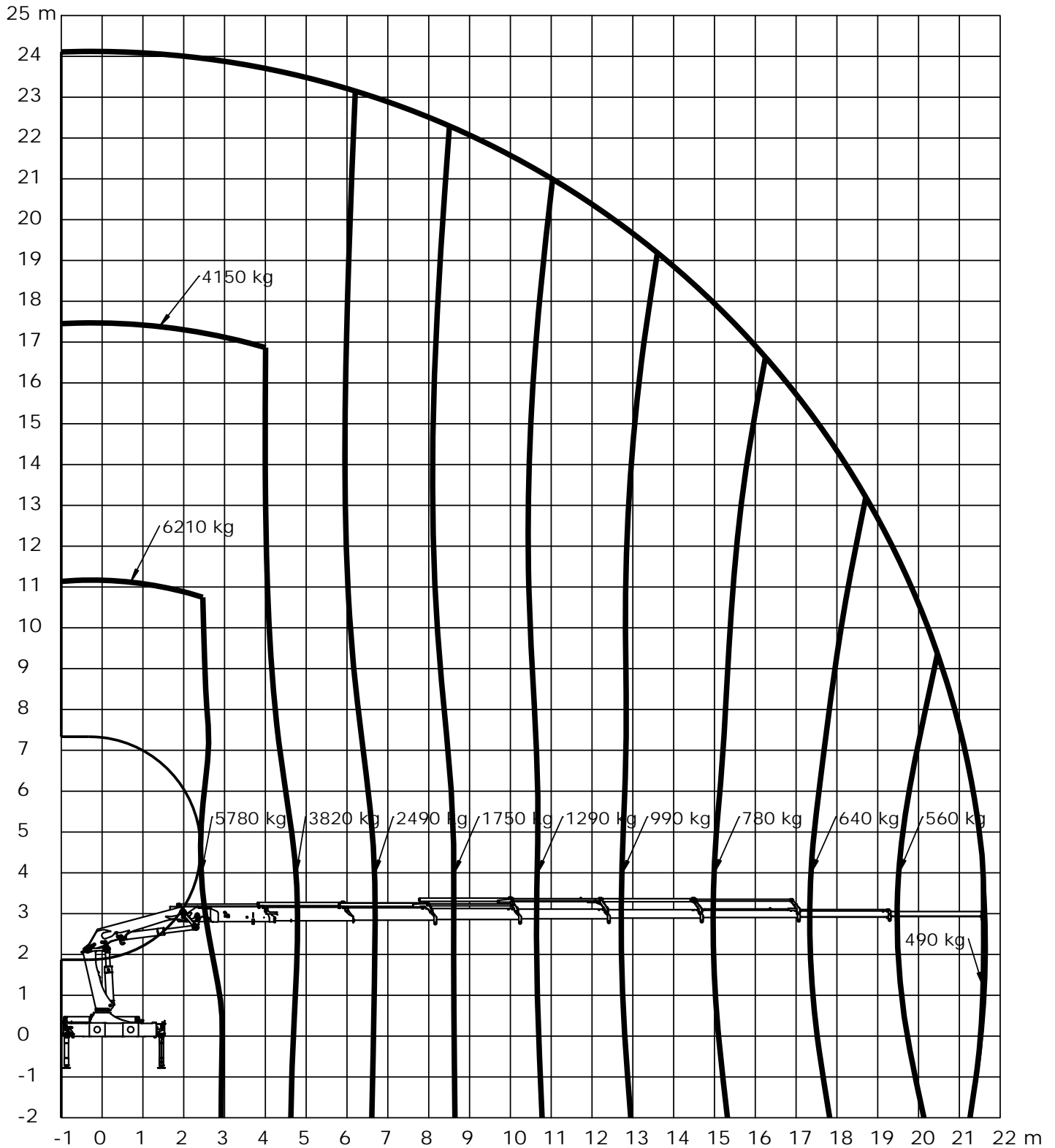


Loading group: EN12999 H1/B3



## Lifting capacity diagram, K8

Catalogue no.	Section
31 129	228
Date	Page
31-08-2018	1 (1)

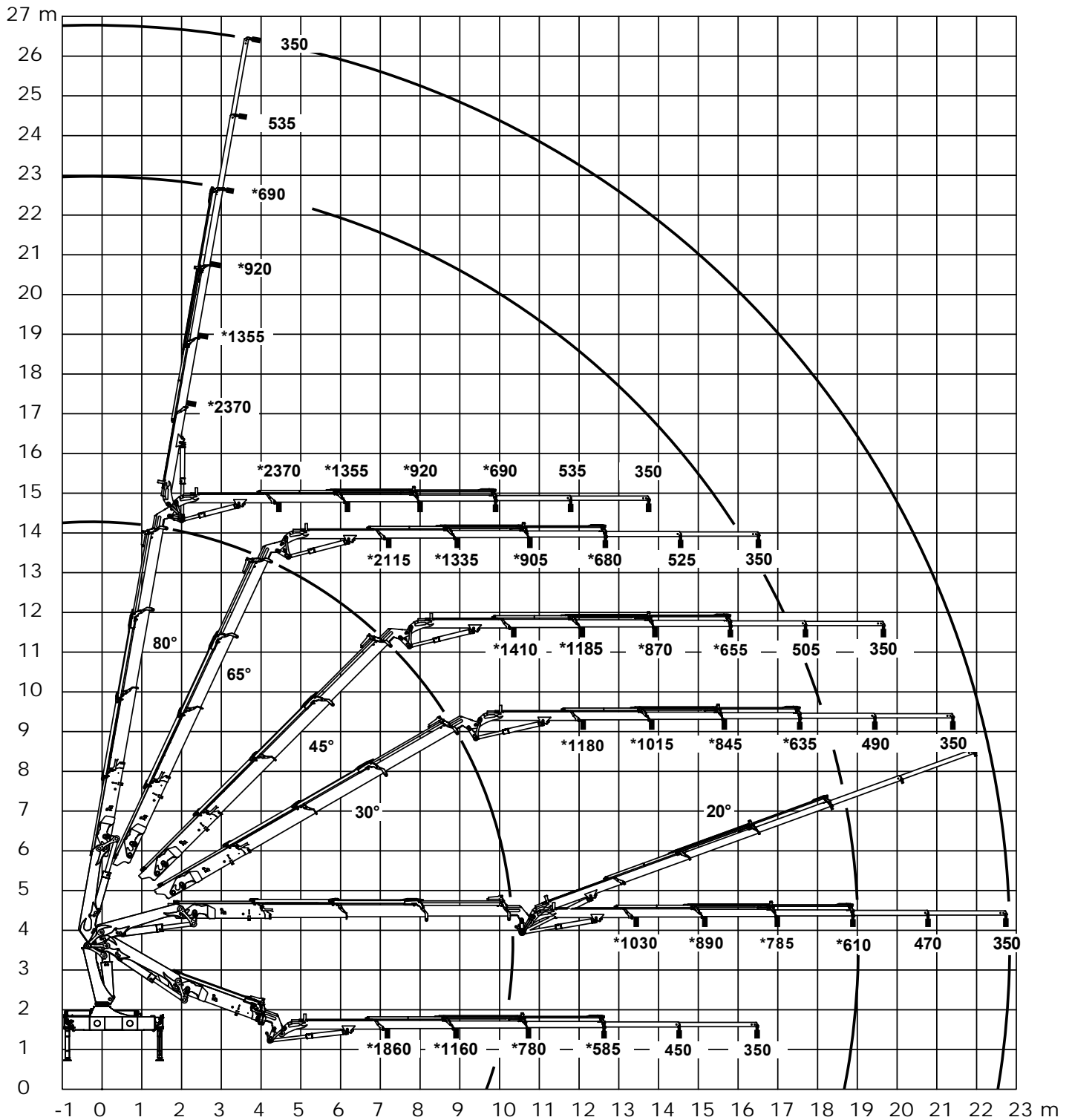


Loading group: EN12999 H1/B3



## Lifting capacity diagram, 2320-K3 with FJ700 K3

Catalogue no.	Section
31 129	253
Date	Page
31-08-2018	1 (1)



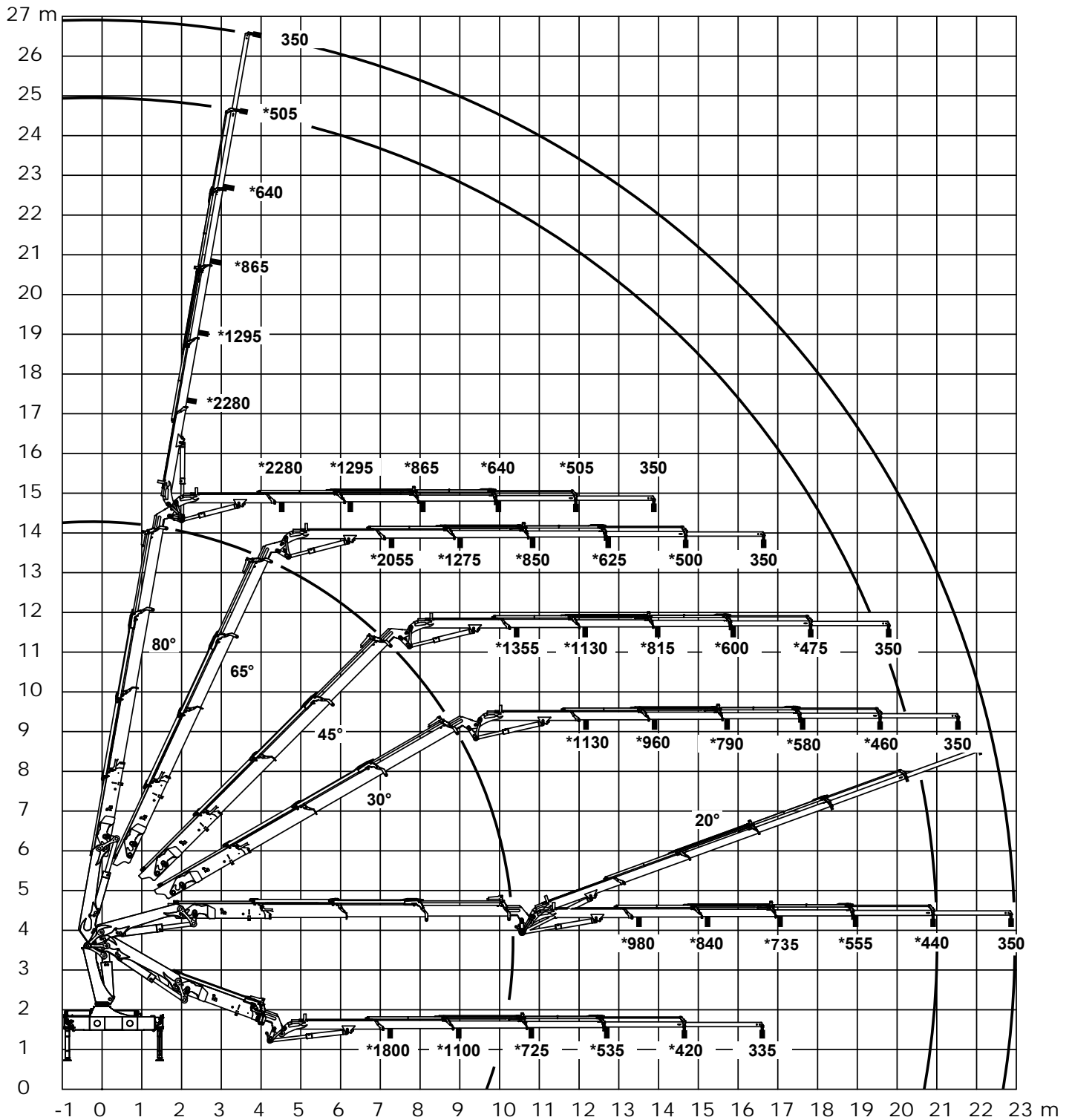
\*Uden forlængerarme  
 \*Without manual extensions  
 \*Ohne Verlängerungen





## Lifting capacity diagram, 2320-K3 with FJ700 K4

Catalogue no.	Section
31 129	254
Date	Page
31-08-2018	1 (1)

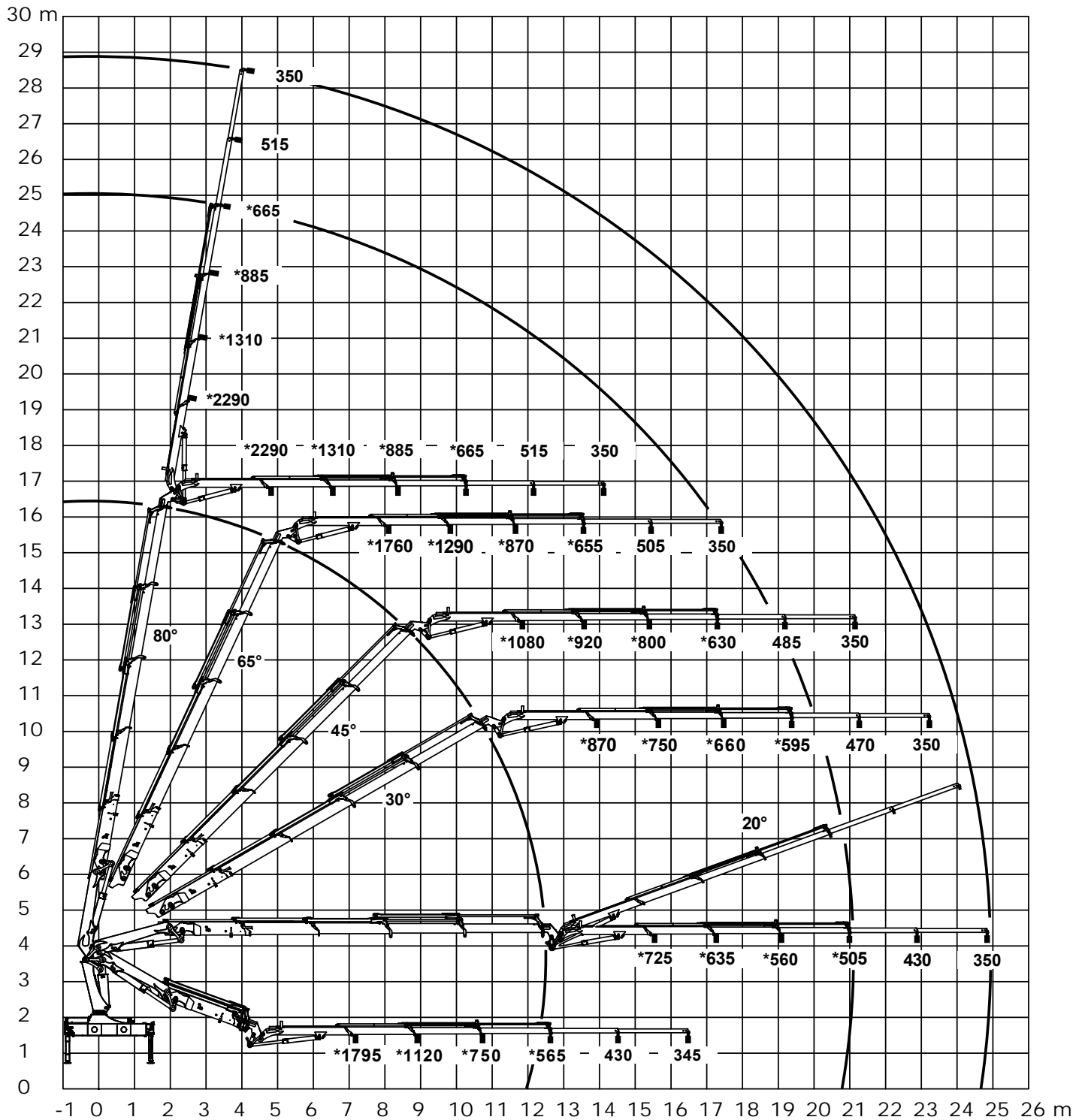


\*Uden forlængerarme  
 \*Without manual extensions  
 \*Ohne Verlängerungen



## Lifting capacity diagram, 2320-K4 with FJ700 K3

Catalogue no.	Section
31 129	255
Date	Page
31-08-2018	1 (1)

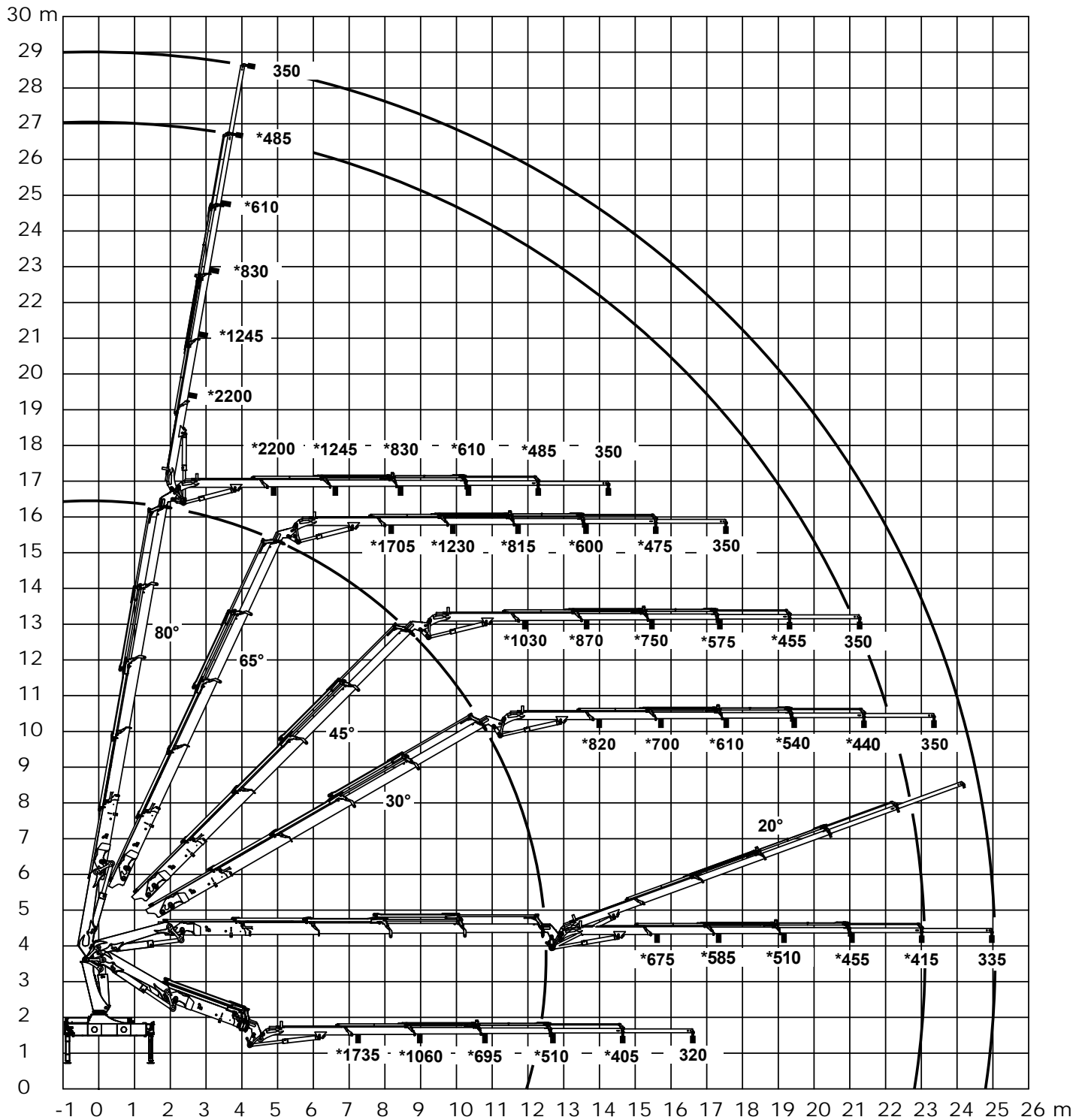


\*Uden forlængerarme  
 \*Without manual extensions  
 \*Ohne Verlängerungen



## Lifting capacity diagram, 2320-K4 with FJ700 K4

Catalogue no.	Section
31 129	256
Date	Page
31-08-2018	1 (1)



\*Uden forlængerarme  
 \*Without manual extensions  
 \*Ohne Verlängerungen

